

NAFA 5Nm 2-Point On-Off Control Spring Return Actuator



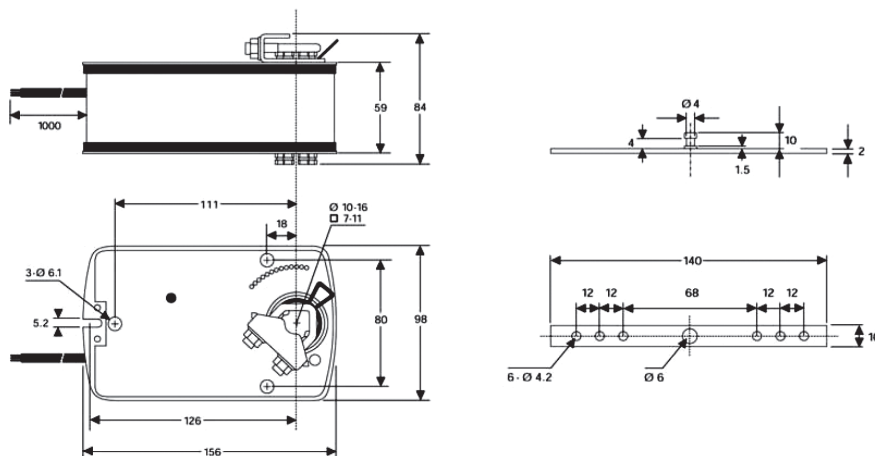
ASLI NAFA 5Nm 2-Point On/Off Control Spring Return Damper Actuator Series are designed specifically for application into the HVAC market. ASLI high quality damper actuators are developed for use with air damper, butterfly valve, characterized ball valve and other devices that required a fail safe function. The actuator motorized the damper or other devices when power on and spring back to it original position when power is cut off.

Features

- 2 points on/off control.
- Damper neck size 0.75 m²
- Voltage AC/DC 24V and AC 230V available.
- Universal Spindle Clamp for easy direct mounting.
- Shaft dimension Ø10...16 mm / 7...11 mm square.
- Minimum Shaft Length 40mm.
- Anti-rotation bracket provided for stability.
- Adjustable angle of rotation.
- Selectable direction of rotation by reversing actuator.
- 1 adjustable SPDT auxiliary switches when requested.
- Energy saving at end stops.
- Actuators with 1m cable connection.

NAFA 5Nm Model Selection Table

Torque	Running Time	Power Supply	Auxiliary Switches	Model/Type
5 Nm	50...70 sec Spring Back <20 sec	AC/DC 24 V	No 1 x SPDT	NAFA 1-05 NAFA 1-05S1
5 Nm	50...70 sec Spring Back <20 sec	AC 230 V ± 10%	No 1 x SPDT	NAFA 2-05 NAFA 2-05S1

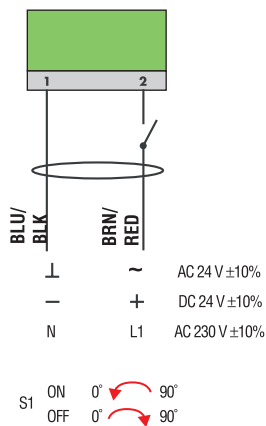


NAFA 5Nm 2-Point On-Off Control Spring Return Actuator

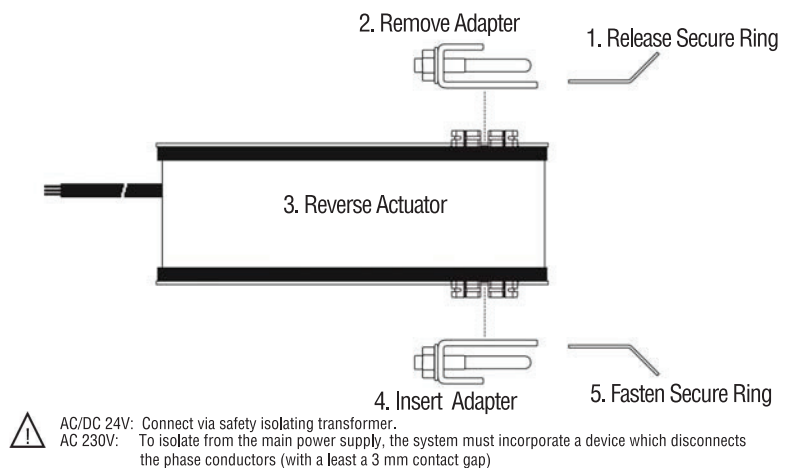
NAFA 5Nm Technical Specification

	NAFA 1-05(S1)	NAFA 2-05(S1)
Torque - Motor (Rated Voltage) - Spring	Min. 5 Nm	Min. 5 Nm
Damper size	0.75 m ²	0.75 m ²
Power supply	AC/DC 24 V	AC 230 V
Frequency	50...60 Hz	50...60 Hz
POWER CONSUMPTION		
- Operating	7.2 W	4.2 W
- At the end stops	2.5 W	2.5 W
For wire sizing	10.0 VA	10.0 VA
Auxiliary switch rating (Amp and Voltage)	3 (1.5) A / 230 V (for 24 V and 230 V)	3 (1.5) A / 230 V (for 24 V and 230 V)
Protection class	II (for 24 V and 230 V)	II (for 24 V and 230 V)
Control signal	2 point on/off	2 point on/off
Angle of rotation	90° (95° mechanical)	90° (95° mechanical)
Angle of rotation limiting	5°...85° in 5° step	5°...85° in 5° step
Weight	1.8 Kg	1.9 Kg
Life cycle	60,000 rotation	60,000 rotation
Sound level	Below 45 dB	Below 45 dB
IP protection	IP54	IP54
Ambient temperature	-20°... 50°C as per IEC 721-3-3	-20°... 50°C as per IEC 721-3-3
Ambient humidity	5...95% RH	5...95% RH
Inventory temperature	+70° as per IEC 721-3-2	+70° as per IEC 721-3-2
Maintenance	maintenance free	maintenance free
Certification	CE and ISO 9000 EN / EEC... Requirements	CE and ISO 9000 EN / EEC... Requirements

NAFA 5Nm Wiring Diagram

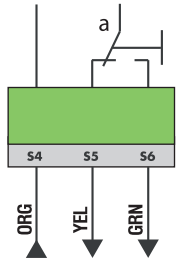


Changing Direction of Rotation NAFA...05 (S1)



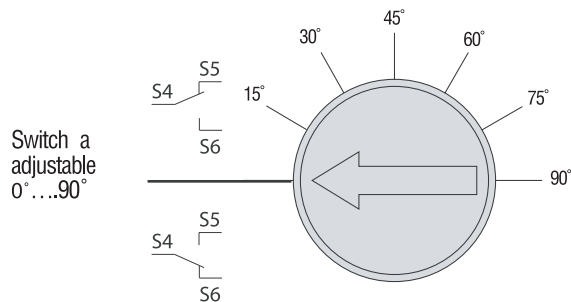
NAFA 5Nm 2-Point On-Off Control Spring Return Actuator

NAFA 5Nm Wiring Diagram Auxiliary Switches NAFA..05 (S1)



3 (1.5) Amp AC 230 V
Actuator at 0° position

Auxiliary Switches adjustment NAFA...05 (S1)



Built-in Micro Switch Adjustment
Turn the screw from 0°....90° according to the scale

Angle of Rotation Limiting

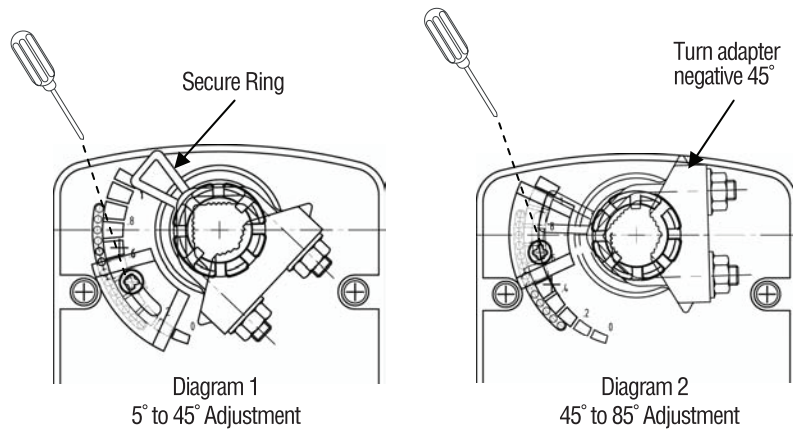
For 5° to 45° Adjustment (Diagram 1)

1. Loosen Screw of the mechanical limiter plate.
2. Move the limiter plate to the appropriate position.
3. Tighten the screw.

For 45° to 85° Adjustment (Diagram 2)

1. Release the secure ring of the adapter.
2. Remove the adapter and turn negative 45° as shown.
3. Insert adapter and secure the adapter ring.
4. Loosen Screw of the mechanical limiter plate.
5. Move the limiter plate to the appropriate position.
6. Tighten the screw.

Angle of Rotation Limiting 5° to 85° adjustment



NAFA 5Nm Installation/Mounting

