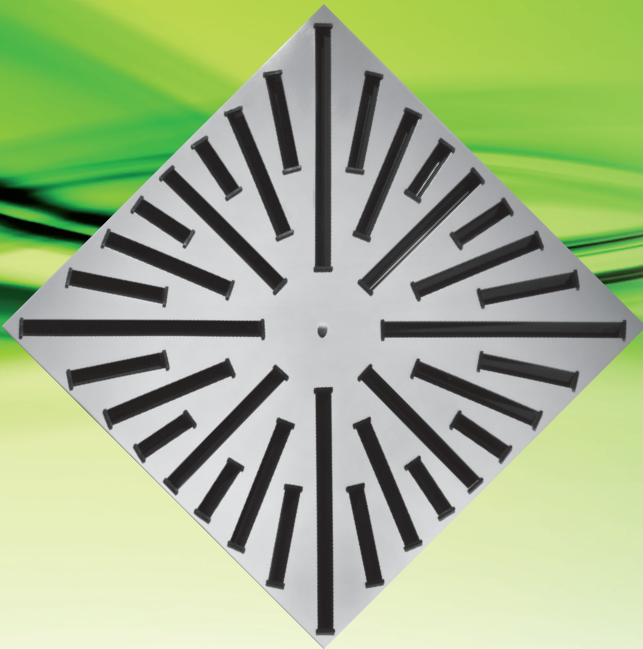


SW-ST Sun Type Swirl Ceiling Diffuser



ASLI SW-ST is a type of diffuser with adjustable air control blades. The unique configuration enables to perform “vortex” air flow projecting horizontally from the face of diffuser. Its high air induction power enhances air mixing effect and suitable for large air conditioned space where high heat load is produced. It is also suitable for rapid cooling usage.

Materials

Diffuser Face : 0.7mm Galvanized steel.
Guide Vane Holder : ABS Plastic.
Guide Vane : Aluminium Extrusion

Surface Finish

Diffuser Face : Baked white powder coated as standard.
Guide Vane : Matt black.

Standard size *Unit : mm*

595 x 595 / 600 x 600
 603 x 603

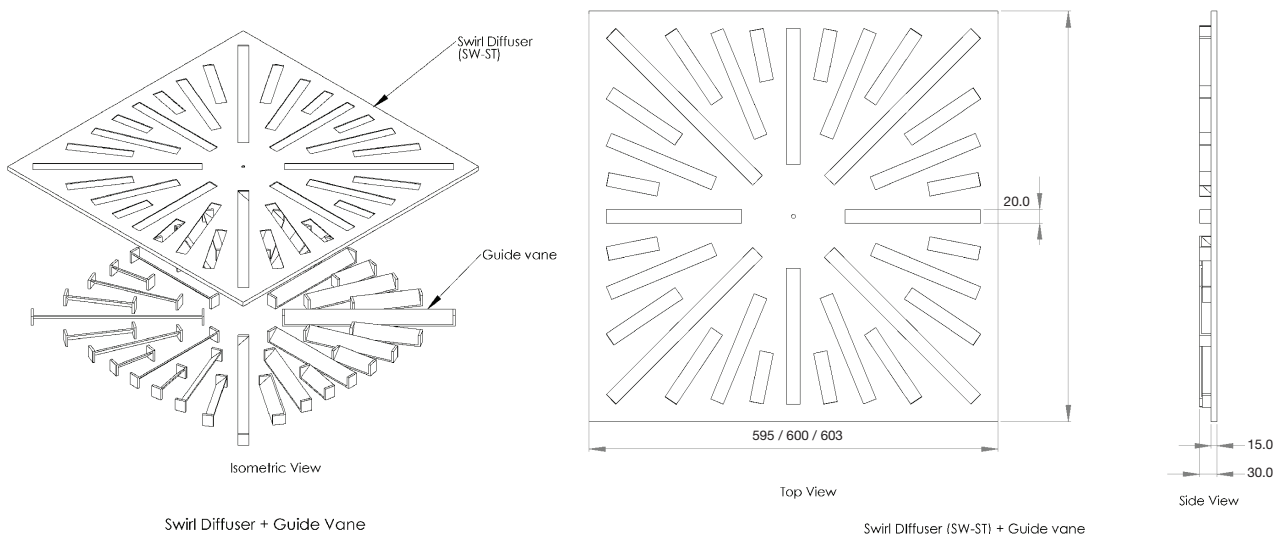
Features

- Air flow pattern can be adjusted to 1 way, 2 way or swirl.
- High induction power improve air mixing and rapid cooling effect.
- High coanda effect reduces direct-throw of air on occupants.
- Standard sizes available for T-bar ceiling on metric or imperial size.
- Non removable.

Accessories

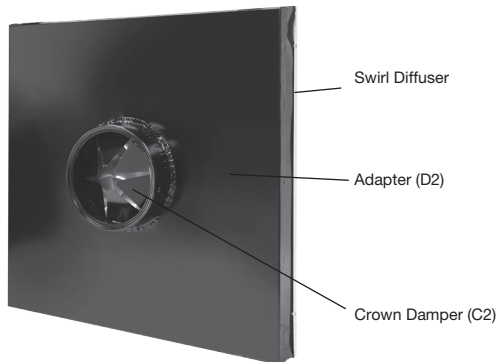
- C1 Radial fan blade damper.
- C2 Crown damper.
- D2 Adapter.
- G1 Opposed blade damper
- PB-S Plenum box side entry.
- PB-T Plenum box top entry.

SW-ST Physical Dimension *Unit : mm*

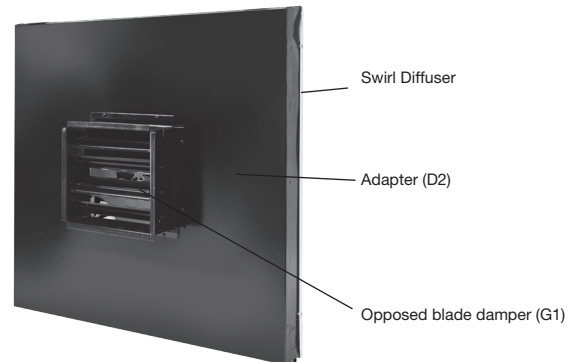


SW-ST Sun Type Swirl Ceiling Diffuser

SW-ST + D2 + C2



SW-ST + D2 + G1



SW-ST Performance Data

| Neck Size (mm) | Collar Neck Vel. (m/s) | 1.5 | 2.0 | 2.5 | 3.0 | 3.5 | 4.0 | 4.5 | 5.0 | 5.5 | 6.0 |
|----------------|------------------------|-----------|-----------|-----------|-----------|-----------|-----------|-----------|-----------|-----------|-----------|
| | Vel. Press (mmAq) | 0.2 | 0.3 | 0.4 | 0.6 | 0.8 | 1.0 | 1.3 | 1.6 | 1.9 | 2.3 |
| ø 150 | CMH | 97 | 129 | 161 | 194 | 223 | 254 | 286 | 318 | 350 | 382 |
| | Tot. Press (mmAq) | 0.3 | 0.6 | 0.8 | 1.0 | 1.5 | 2.1 | 2.6 | 3.2 | 3.6 | 4.6 |
| | NC | - | - | - | - | - | - | 21 | 25 | 30 | 31 |
| | Throw (m) | 0.5 ~ 1.1 | 0.9 ~ 1.5 | 0.8 ~ 1.6 | 1.1 ~ 1.7 | 1.4 ~ 2.1 | 1.4 ~ 2.1 | 1.5 ~ 2.2 | 1.7 ~ 2.4 | 1.8 ~ 2.7 | 1.8 ~ 2.9 |
| ø 200 | CMH | 172 | 230 | 287 | 344 | 396 | 452 | 509 | 565 | 622 | 679 |
| | Tot. Press (mmAq) | 0.4 | 0.6 | 1.0 | 1.5 | 2.1 | 2.7 | 3.3 | 4.4 | 5.4 | 6.3 |
| | NC | - | - | - | - | 25 | 28 | 33 | 36 | 40 | 41 |
| | Throw (m) | 0.6 ~ 1.1 | 0.9 ~ 1.5 | 0.9 ~ 2.1 | 1.2 ~ 2.1 | 1.5 ~ 2.4 | 1.5 ~ 2.6 | 1.8 ~ 2.6 | 2.0 ~ 2.8 | 2.1 ~ 3.0 | 2.1 ~ 3.4 |
| ø 250 | CMH | 269 | 359 | 449 | 538 | 619 | 707 | 795 | 884 | 972 | 1060 |
| | Tot. Press (mmAq) | 0.5 | 1.0 | 1.5 | 2.7 | 3.3 | 4.1 | 5.0 | 6.1 | 7.2 | 8.3 |
| | NC | - | - | - | 25 | 30 | 33 | 38 | 41 | 43 | 45 |
| | Throw (m) | 0.8 ~ 1.6 | 1.0 ~ 2.2 | 1.4 ~ 2.7 | 1.7 ~ 2.8 | 1.9 ~ 3.2 | 2.2 ~ 3.5 | 2.5 ~ 4.0 | 2.7 ~ 4.1 | 2.9 ~ 4.3 | 3.0 ~ 4.3 |
| ø 300 | CMH | 388 | 517 | 646 | 775 | 891 | 1018 | 1145 | 1272 | 1400 | 1527 |
| | Tot. Press (mmAq) | 0.9 | 1.9 | 3.2 | 4.7 | 6.8 | 8.6 | 11.0 | 13.8 | 16.7 | 18.3 |
| | NC | - | - | 26 | 35 | 39 | 43 | 46 | 49 | 51 | 52 |
| | Throw (m) | 1.0 ~ 2.0 | 1.3 ~ 2.6 | 1.5 ~ 3.0 | 2.1 ~ 3.4 | 2.3 ~ 3.5 | 2.7 ~ 4.0 | 3.0 ~ 4.6 | 3.7 ~ 4.9 | 3.7 ~ 5.0 | 4.0 ~ 5.7 |

- Throw is based on terminal velocities of 0.5m/s and 0.25m/s respectively.
- Throw is based on isothermal condition.
- NC value is based on a room absorption of 10 dB, re 10⁻¹² watts.
- Dash (-) in space indicates NC value less than 20.

SW-ST Order Code

| Model | Accessories | Face Size | Neck Size |
|-------|-------------|-------------|-----------|
| SW-ST | C1 | B 600 x 600 | N 200 |

Example : SW-ST + C1 - B 600 x 600, N 200