

PRD Pressure Relief Damper



ASLI Pressure Relieved Dampers (PRD) are designed to maintain certain amount of pressure in a pressurized zone (staircase, operation theatre, etc). The amount of pressure maintained in the pressurized zone is adjustable by the counterweight on the PRD.

Materials

Frame: Galvanized steel, 1.2mm thickness.

Blade: Aluminum sheet, 0.7mm thickness.

Surface Finish

Frame: Mill galvanized.

Blade: Mill aluminum.

Blade Action

Parallel blade.

Temperature Limits

-40°C to +93°C

Connection Type

Slip joint (S) or flange joint for TDC (T)

Counterweight

Blade mounted with adjustable weight

Standard Size (W X H X D)

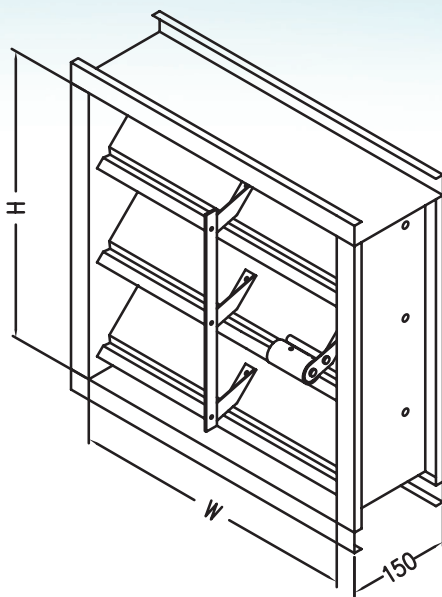
Unit : mm

300 X 300 X 150

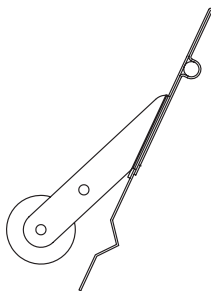
400 X 300 X 150

400 X 400 X 150

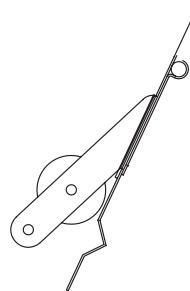
**Other sizes are available upon request*



PRD Isometric View

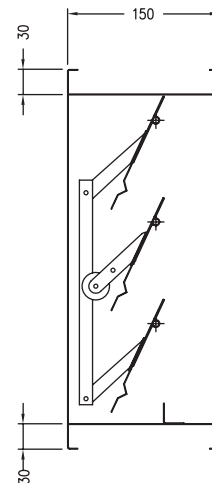


High pressure



Low pressure

PRD counterweight position



PRD Cross Section View

PRD Pressure Relief Damper

PRD Recommended Selection Guide

Neck Size (mmxmm)	Pressure Range
300 x 300	15 Pa - 60 Pa
400 x 300	25 Pa - 65 Pa

PRD Performance Data

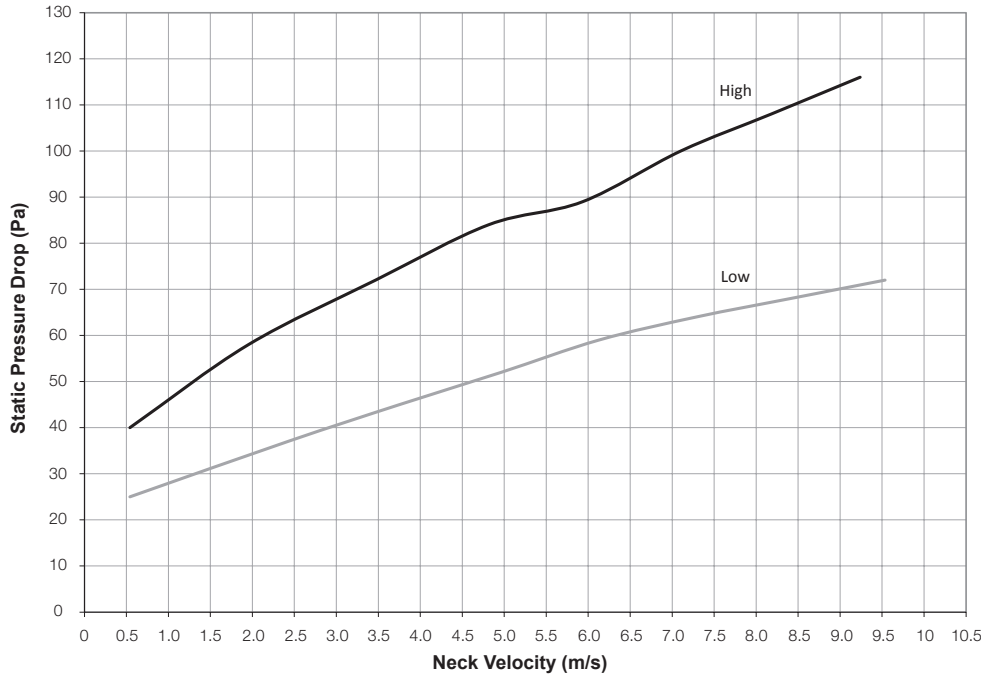


Chart 1: Air flow performance of PRD (300mm X 300mm X 150mm)

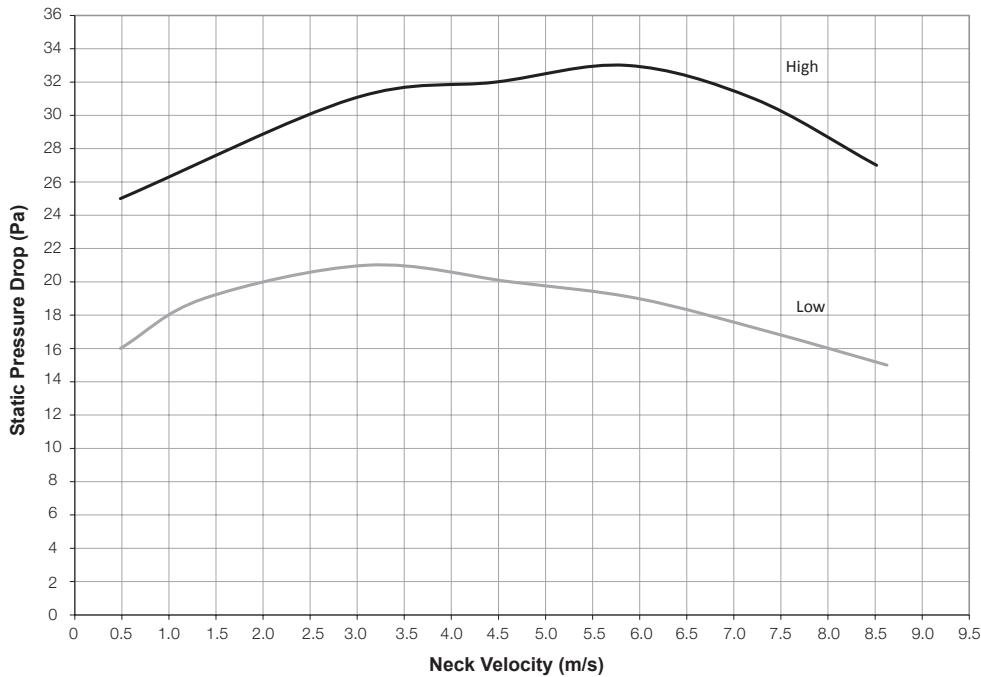


Chart 2: Air flow performance of PRD (400mm X 300mm X 150mm)

PRD Order Code *Unit : mm*

Mode	Neck Size (WX H X D)	Type	Connection Type (Left)	Connection Type (Right)
PRD	400mmX300mmX150	A,B,C	Slip Joint (S) Flange Joint for TDC (T)	Slip Joint (S) Flange Joint for TDC (T)

Example: PRD-400mmX300mmX150mm-A-TT