

SWR-2T Round Swirl Ceiling Diffuser



ASLI SWR-2T is a type of diffuser with fixed radially arranged air control blades. This unique type of slots provide high induction “vortex” air flow projecting horizontally from the face of diffuser. This swirling air flow produce a diffuse air distribution, with no stationary air jet resulting excellent uniformity of temperature in air conditioned space. SWR-2T is suitable in area of high heat load where large quantities of cool air must be rapidly mixed with room air in a short time. The SWR-2T series can also be use as a return and exhaust type device.

Materials

Diffuser Face : 0.7mm galvanized steel.

Surface Finish

Baked white powder coated as standard.
Others available upon request.

Standard size *Unit : mm*

ø 565

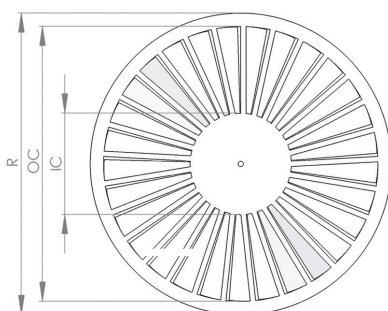
Features

- Swirl air pattern provides high induction ratio.
- High coanda effect reduces direct-throw of air on occupants.

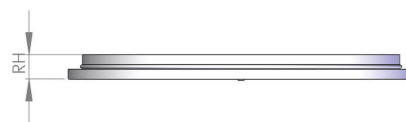
Accessories

- C1 Radial fan blade damper.
- D2 Adapter.
- C2 Crown damper.
- PB-T Plenum box top entry.

SWR-2T Physical Dimension *Unit : mm*



Top View



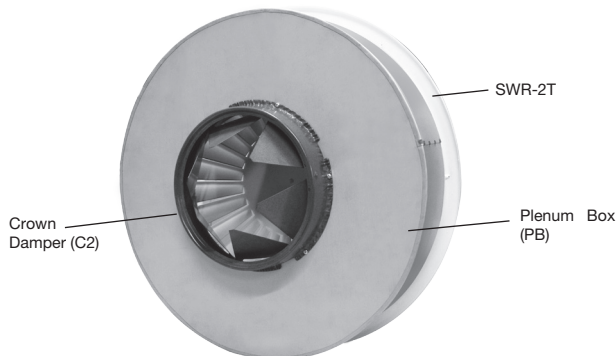
Side View

OC	IC	R	RH
515	190	565	40

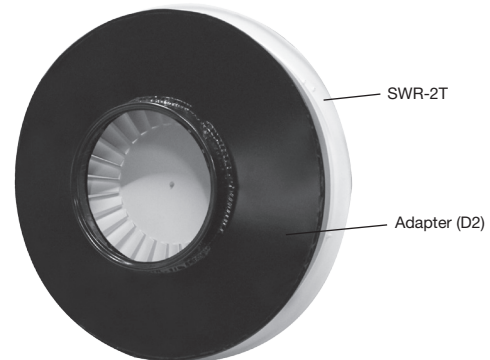
SWR-2T Round Swirl Ceiling Diffuser

SWR-2T Construction Illustrations

SWR-2T + PB + C2



SWR-2T + D2



SWR-2T Air Flow Performance Data

Inlet Diameter (mm)	Collar Neck Vel. (m/s)	1.5	2.0	2.5	3.0	3.5	4.0	4.5	5.0	5.5	6.0
	Vel. Press (mmAq)	0.2	0.3	0.4	0.6	0.8	1.0	1.3	1.6	1.9	2.3
ø 150	CMH	97	129	161	194	223	254	286	318	350	382
	Tot. Press (mmAq)	0.3	0.6	0.9	1.2	1.7	2.2	2.7	3.2	3.9	4.8
	NC	-	-	-	-	-	-	23	26	30	33
	Throw (m)	0.6 ~ 1.2	0.9~1.5	0.9 ~ 1.8	1.2 ~ 1.8	1.5 ~ 2.1	1.5 ~ 2.1	1.5 ~ 2.4	1.8 ~ 2.4	1.8 ~ 2.7	1.8 ~ 2.7
ø 200	CMH	172	230	287	344	396	452	509	565	622	679
	Tot. Press (mmAq)	0.4	0.7	1.2	1.7	2.3	3.0	3.7	4.8	5.5	6.5
	NC	-	-	-	21	27	31	35	38	40	41
	Throw (m)	0.6 ~ 1.2	0.9 ~ 1.5	0.9 ~ 2.1	1.2 ~ 2.1	1.5 ~ 2.4	1.5 ~ 2.7	1.8 ~ 2.7	2.1 ~ 3.0	2.1 ~ 3.0	2.1 ~ 3.4
ø 250	CMH	269	359	449	538	619	707	795	884	972	1060
	Tot. Press (mmAq)	0.6	1.1	1.7	2.9	3.9	4.9	6.1	7.6	9.1	10.8
	NC	-	-	21	28	34	36	40	42	44	46
	Throw (m)	0.9 ~ 1.8	1.2 ~ 2.4	1.5 ~ 2.7	1.8 ~ 3.0	2.1 ~ 3.4	2.4 ~ 3.7	2.7 ~ 4.0	2.7 ~ 4.0	3.0 ~ 4.3	3.0 ~ 4.3
ø 300	CMH	388	517	646	775	891	1018	1145	1272	1400	1527
	Tot. Press (mmAq)	1.3	2.3	3.5	5.1	6.8	9.0	11.3	14.1	17.0	21.4
	NC	-	24	30	38	41	44	47	49	51	54
	Throw (m)	1.2 ~ 2.4	1.5 ~ 3.0	1.8 ~ 3.4	2.4 ~ 4.0	2.7 ~ 4.3	3.0 ~ 4.6	3.4 ~ 4.6	3.7 ~ 4.9	3.7 ~ 5.2	3.9 ~ 5.5

- Throw is based on terminal velocities of 0.5m/s and 0.25m/s respectively.
- Throw is based on isothermal condition.
- NC value is based on a room absorption of 10 dB, re 10⁻¹² watts.
- Dash (-) in space indicates NC value less than 20.

SWR-2T Order Code

Model	Accessories	Face Size	Neck Size
SWR-2T	C1	B 565	N 200

Example : SWR-2T + C1 - B 565, N 200