

NACM 2Nm / 5Nm Modulating Control Actuator



ASLI damper actuators are especially designed and produced for applications in the HVAC systems with latest Switzerland technology.

It has been developed to operate and position air dampers of different sizes.

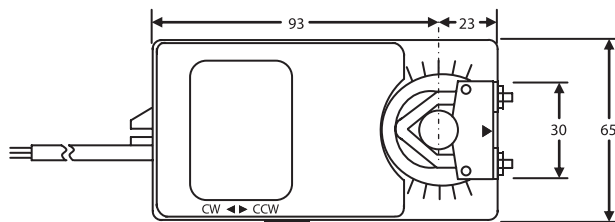
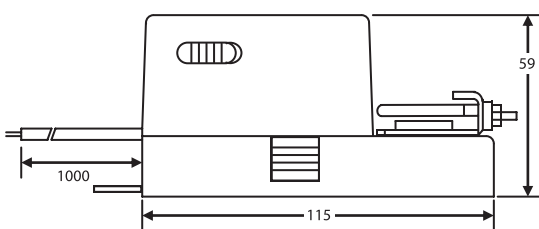
Features

- Torque 2 Nm / 5 Nm
- Damper neck size 0.3 m² / 0.75 m²
- Power supply AC/DC 24 V
- Control modulating DC 0(2)...10 V
- Shaft dimensions
Ø 6 to 15 mm round / 5 to 10.5 mm square
- Minimum shaft length 40 mm
- Selectable direction of rotation
- Adjustable angle of rotation
- Actuator with 1m cable connection

NACM 2Nm / 5Nm Model Selection Table

Torque	Running Time	Power Supply	Auxiliary Switches	Model/Type
2 Nm	60...90 sec	AC/DC 24 V ± 10%	No	NACM 1.2-02
5 Nm	70...100 sec	AC/DC 24 V ± 10%	No	NACM 1.2-05

NACM 2Nm / 5Nm Dimensions *Unit : mm*



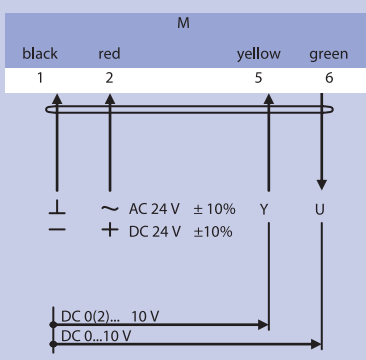
NACM 2Nm / 5Nm Modulating Control Actuator

NACM 2Nm / 5Nm Technical Specification

	NACM 1.2
Torque	2 Nm / 5 Nm
Damper size	0.3 m ² / 0.75 m ²
Shaft dimensions	Ø 6 to 15 mm round / 5 to 12 mm square
Power supply	AC/DC 24 V ± 10%
Frequency	50...60 Hz
Control Signal	DC 0(2)...10 V
Position Signal (Output)	DC 0...10 V
POWER CONSUMPTION	
- Operating	2.0 W
- At the end stops	2.0 W
For wire sizing	4.0 VA
Protection Class	III 
Angle of rotation	0°...90° (95° mechanical)
Angle limiting	0°...90° (max. 0°...30° / 60°...90°)
Weight	< 0.7 Kg
Life cycle	60,000 rotation
Sound level	40 dB (A)
IP protection	IP 54 (dust protected & protected against splash water)
Operating Temperature	-20°...+50° C / IEC 721-3-3
Non-Operating Temperature	-30°...+60° C / IEC 721-3-2
Ambient Humidity	5%...95% rH non condensing / EN 60730-1
Maintenance	Maintenance free
Mode of Operation	Type I / EN 60730-1
EMC	CE according to 89 / 336 / EEC

NACM 2Nm / 5Nm Wiring Diagram

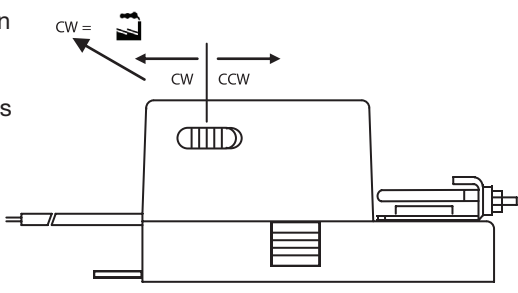
Wiring Diagram NACM 1.2... Power Supply AC/DC 24 V



Changing Direction of Rotation NACM 2.2...(S1)

Factory-set CW!

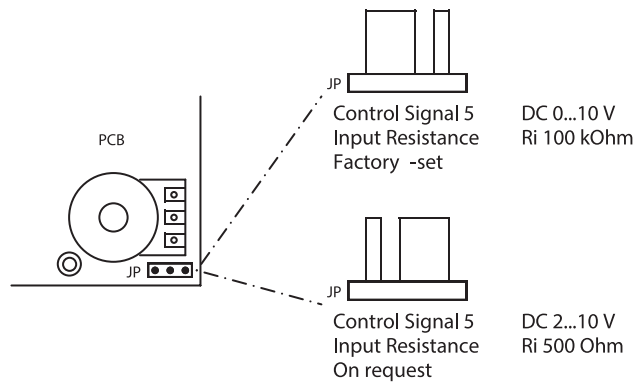
The direction of rotation can be changed by pushing the CW/CCW switch on the actuator's housing.



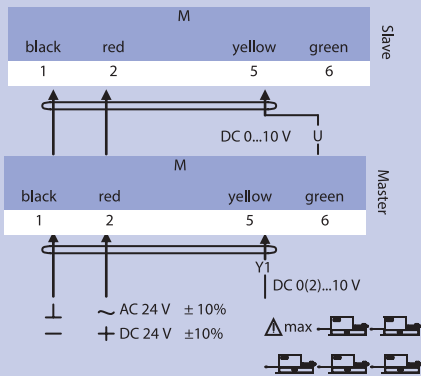
NACM 2Nm / 5Nm Modulating Control Actuator

NACM 2Nm / 5Nm Wiring Diagram

Adjustment of Control Signal NACM 1.2...



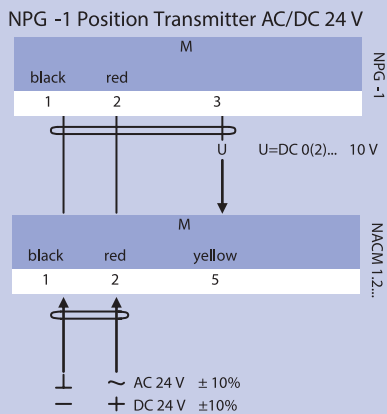
Wiring Diagram NACM 1.2... Parallel Connection



Remark

When NACM... actuators operate in parallel, the output signal $U = DC\ 0...10\ V$ (terminal 6) of the master actuator must be connected to terminal 5 of the next slave actuator. The power consumption must be observed.

Wiring Diagram NACM 1.2... NPG-1 Position Transmitter AC/DC 24 V

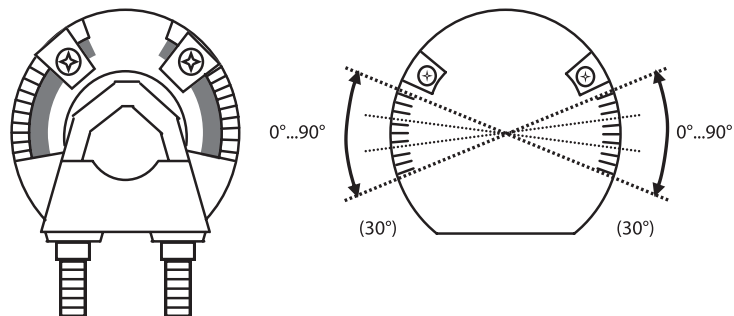


Limiting Angle of Rotation NACM 1/2...(S1)

Adjustment of Mechanical Limiter

1. Loosen screw of mechanical limiter
2. Move limiter to appropriate position *
3. Tighten screw

* Working range of 90° can be reduced up to 30° from each end position.



Releasing the Adapter NACM 1/2...(S1)

Releasing the adapter is not required and not necessary.

