

SWV Variable Swirl Jet Diffuser



ASLI SWV Variable Swirl Jet Diffusers are applicable for spaces with a height of more than 3.8m, such as airport, waiting hall in stations, theatre, stadium, industrial workshop, business hall, large conference room, reception hall, shared space in department store, and etc.

SWV variable swirl jet diffusers adopts hydrokinetics principle for the design of its blade, by which the blade pushes the current by means of swirl with a certain initial velocity to achieve a larger throw distance, bigger space covered by a jet, and more efficient convection current effect. Meanwhile the blade could change its quadrant angle to adapt to different conditions by blowing rotating current of horizontal, slant, and vertical directions.

Material

Aluminium

Surface Finish

Baked white powder coated as standard

Standard Size

315 / 400 / 630 / 800

Features

- Averaging air blowing, and variable shape of air current.
- Easy installation; connected and hung directly with hooks.

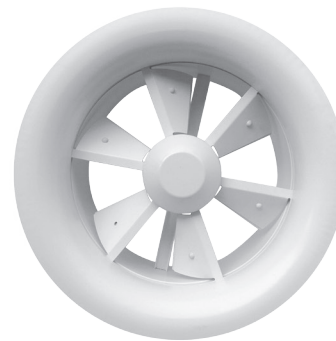
Three Conditions



The blade could be adjusted to refrigeration mode to adapt to summer conditions. Cold air blows out by means of diffusing swirls to facilitate air convection



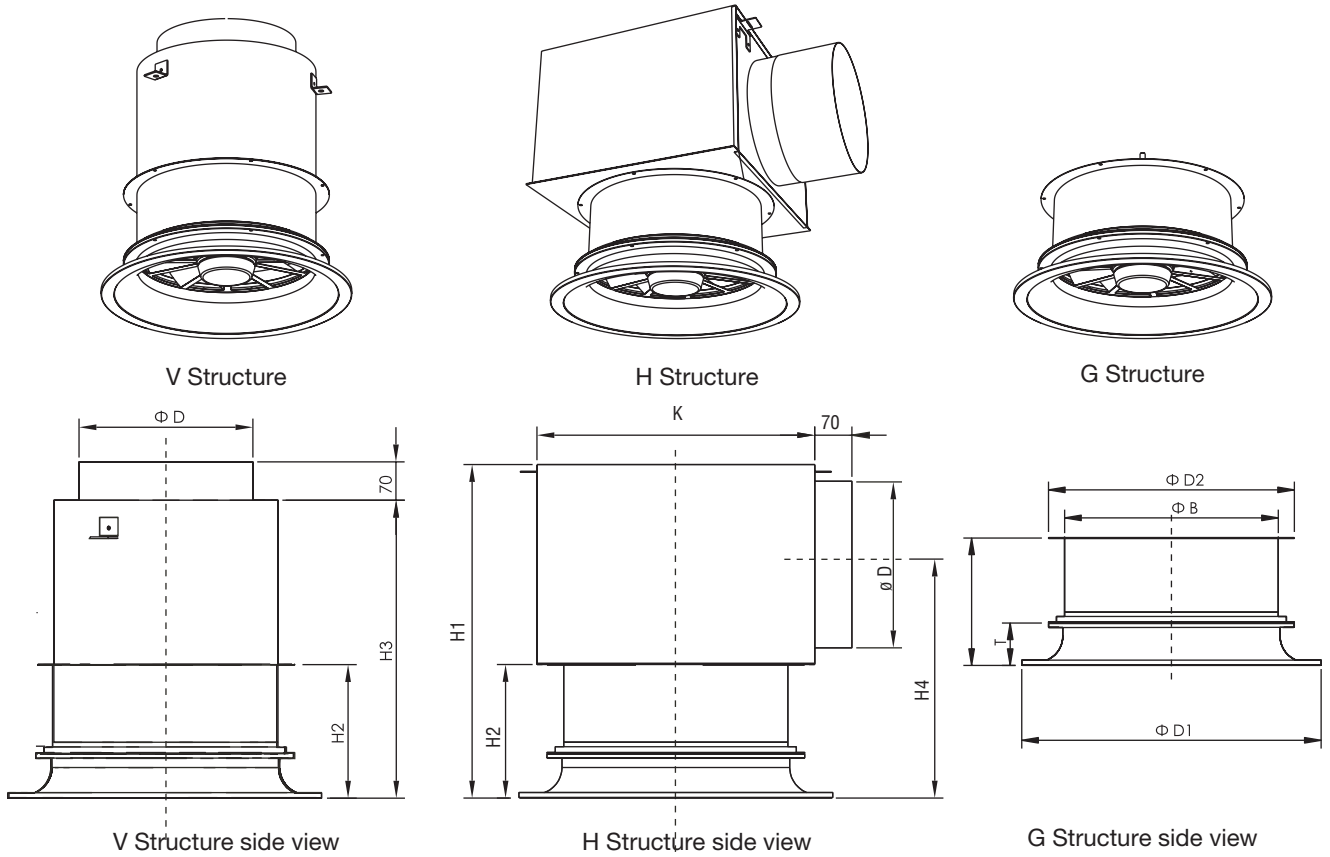
The blade could be adjusted to normal temperature mode to adapt to the fresh wind conditions in spring and autumn to supply fresh wind into the indoors in large scale.



The blade could be adjusted to warming mode to adapt to winter condition. Warm jets are amassed vertically to be supplied to areas where there are human activities.

SWV Variable Swirl Jet Diffuser

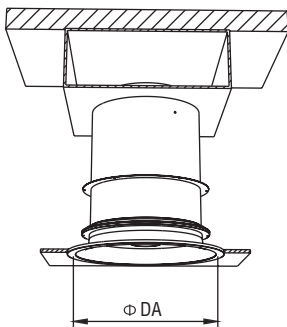
SWV Physical Dimension Unit : mm



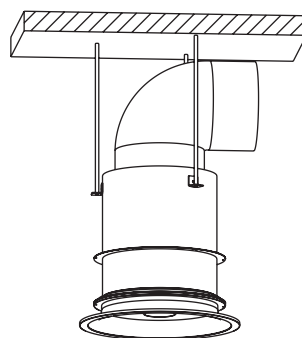
Specs Sizes	ϕB	ϕD	H1	H2	H3	H4	K	$\phi D1$	$\phi D2$	T
315	313	250	480	203	425	340	435	470	358	74
400	398	300	600	238	530	419	500	562	443	80
630	630	400	850	383	750	616.5	750	870	690	125
800	800	500	1130	568	1000	849	1000	1077	871	160

Installations

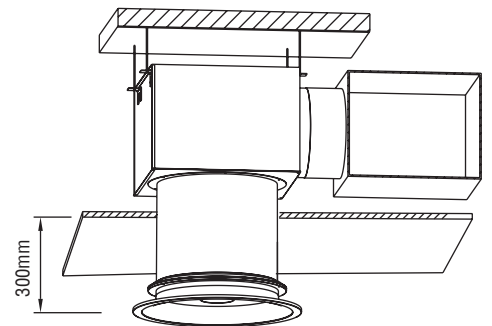
Owing to its multiple functions, SWV variable swirl diffuser could either be fixed or hung on the ceiling. The air flow effect is the same in both fixed installation and hang installation. And the flow angle can be adjusted continuously.



Fixed installation for enclosed suspended ceiling; horizontal and vertical blowing directions;



Hanging installation for space such as industrial workshop; continuously variable blowing angle;



300mm into ceiling; continuously variable blowing angle;

SWV Variable Swirl Jet Diffuser

SWV Air Flow Performance Data

Size (mm)	Air Flow Performance						
ø 315	CMH	300	400	500	600	700	800
	St. Press. (mmAq)	1.1	1.7	2.7	4.1	5.1	7.1
	NC	4.5	6.5	7.2	12	13.5	16
	Throw (m)	23	28	35	40	43	47
ø 400	CMH	600	700	800	1000	1200	1400
	St. Press. (mmAq)	1.0	2.2	2.7	4.4	6.0	8.0
	NC	7	9	11	14	17	20
	Throw (m)	23	27	32	37	43	47
ø 630	CMH	1250	1500	1750	2000	2500	3000
	St. Press. (mmAq)	1.5	1.8	2.6	3.2	4.8	7.3
	NC	10	14	16	17	23	26
	Throw (m)	24	27	33	36	42	48
ø 800	CMH	1500	1750	2000	2500	3000	3500
	St. Press. (mmAq)	1.2	1.7	2.2	3.3	4.8	6.8
	NC	10	12	14	18	23	27
	Throw (m)	23	27	32	37	43	48

- The above performance data are tested with diffuser installed vertically dropdown from the ceiling.
- The above performance data are tested with blades fully open, which provides maximum vertical throw.
- Throws are based on terminal velocity 0.25m/s, vertically throw from ceiling.
- Throws are based on isothermal condition.
- NC values are based on room absorption of 10dB, re 10⁻¹² watts.

SWV Order Code

Model	Material	Size
SWV	A	315 / 400 / 630 / 800

Example : SWV - A - 315