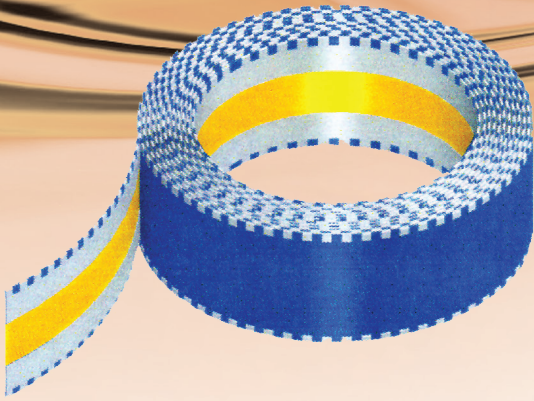


FL Flexible Connector



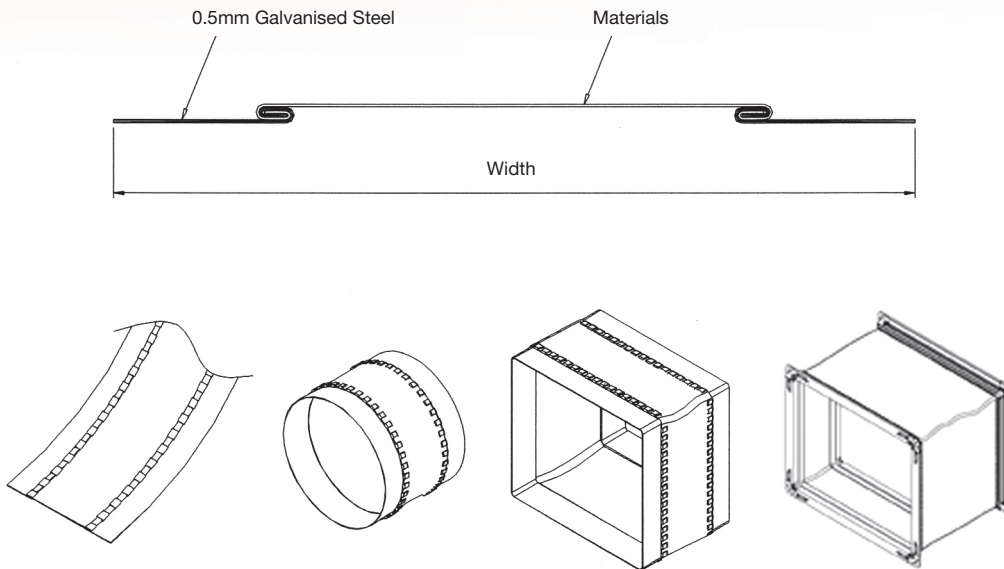
Materials

0.5mm galvanized steel.
PVC cloth or silicone.

Characteristics

Used in between ductwork and fan or AHU to prevent transmission of vibration. The steel side can be rolled to form TDC flange or clip joint.

FL Construction Illustrations



FL Physical Dimension

Model	Standard Dimension	Materials	Length	Width	Temp Rating
FLT-P	280mmx30m	0.37mm PVC	30m	280mm	185°F (85°C)
FLP-P	215mmx50m	0.37mm PVC	50m	215mm	185°F (85°C)
FLP-G	215mmx30m	0.45mm Silicone	30m	215mm	365°F (185°C)
FLT-G	280mmx30m	0.56mm Silicone	30m	280mm	365°F (185°C)
FLT-H	280mmx30m	0.80mm Silicone	30m	280mm	500°F (260°C)
FLP-H	215mmx30m	0.80mm Silicone	30m	215mm	500°F (260°C)