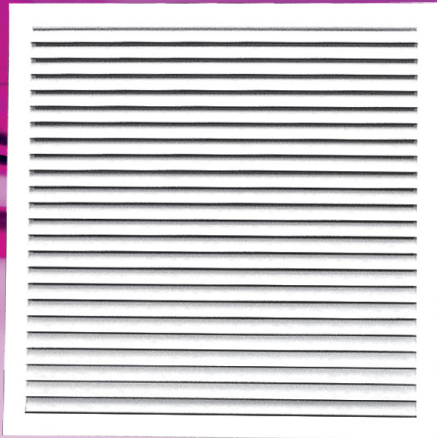


RC Curve Blade Return Air Grille



ASLI RC series is a return air grille with curved blade design of approximately one eighth of the circumference of a circle.

Materials

RC-A

Frame : Extruded aluminium A6063.
Blade : Extruded aluminium A6063.

RC-T

Frame : 0.7mm Galvanized steel.
Blade : 0.5mm Galvanized steel.

Surface Finish

Baked white powder coated.
Other available upon request.

Size

All sizes are available upon request.

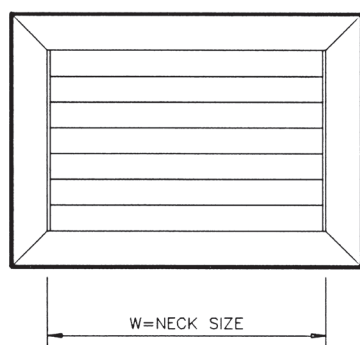
Features

- The shape of the curved blade is approximately one eighth of the circumference of a circle.
- Suitable to install on wall for return air application.
- The grille will come in more sections for blade length that is more than 600mm.
- Approximately 48% free area.

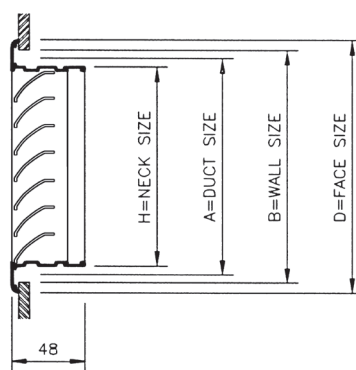
Accessories

- C1 Radial fan Blade damper
- C2 Crown damper
- D2 Adapter
- G1 Opposed blade damper
- IS Insect nettings

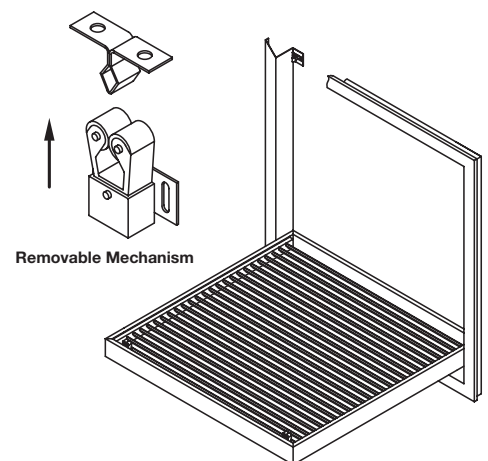
RC Physical Dimension *Unit : mm*



Top View



Sectional View



Example of RM removable (optional)

Model	A Duct Size	B Wall Size	D Face Size
RC-A	W+10 H+10	W+20 H+20	W+58 H+58
RC-T			W+60 H+60

RC Curve Blade Return Air Grille

RC Performance Data

Neck Size Area (m ²)	Neck Size (mm x mm)	Neck Vel. (m/s)	2.0	2.5	3.0	3.5	4.0	5.0	6.0
		Vel. Press(mmAq)	0.25	0.4	0.55	0.75	1.0	1.55	2.2
		Neg. SP(mmAq)	0.9	1.5	2.2	3.1	4.1	6.5	9.3
0.025	250 x 100	CMH	180	225	270	315	360	450	540
	200 x 125	NC	-	11	17	23	30	37	42
0.03	300 x 100	CMH	216	270	324	378	432	540	648
	200 x 150	NC	-	12	18	25	32	39	44
0.04	400 x 100	CMH	288	360	432	504	576	720	864
	250 x 150	NC	-	15	23	29	34	42	46
0.045	350 x 125	CMH	324	405	486	567	648	810	972
	300 x 150	NC	-	15	23	29	34	42	46
0.05	350 x 150	CMH	360	450	540	630	720	900	1080
	250 x 200	NC	-	15	23	29	34	42	46
0.06	600 x 100	CMH	432	540	648	756	864	1080	1296
	400 x 150	NC	-	17	24	31	36	44	48
0.075	600 x 125 / 350 x 200	CMH	540	675	810	945	1080	1350	1620
	500 x 150 / 300 x 250	NC	-	18	25	31	36	44	50
0.09	700 x 125 / 400 x 200	CMH	648	810	972	1134	1296	1620	1944
	550 x 150 / 350 x 250	NC	-	19	27	34	38	45	51
0.1	750 x 125 / 450 x 200	CMH	720	900	1080	1260	1440	1800	2160
	660 x 150 / 400 x 250	NC	11	20	27	34	39	46	52
0.12	900 x 125 / 450 x 250	CMH	864	1080	1296	1512	1728	2160	2592
	750 x 150 / 350 x 300	NC	12	22	29	35	41	48	54
0.128	850 x 150 / 500 x 250	CMH	922	1152	1382	1612	1843	2304	2765
	600 x 200 / 400 x 300	NC	13	23	29	35	42	48	55
0.135	1200 x 125 / 450 x 300	CMH	972	1215	1458	1700	1944	2430	2916
	900 x 150 / 400 x 350	NC	13	23	29	35	42	48	55
0.18	900 x 200 / 600 x 300	CMH	1296	1620	1944	2268	2592	3240	3888
	750 x 250 / 450 x 400	NC	14	23	30	36	42	49	56
0.27	750 x 350 / 600 x 450	CMH	1944	2430	2915	3402	3888	4860	5832
	660 x 400 / 550 x 500	NC	14	23	30	36	42	50	57
0.36	1200 x 300 / 750 x 450	CMH	2592	3240	3888	4536	5184	6480	7776
	900 x 400 / 600 x 600	NC	15	25	31	38	44	51	59

- NC value is based on a room absorption of 10 dB, re 10⁻¹² watts.
- Dash (-) in space indicates NC value less than 10.

RC Order Code

Model	Material	Accessories	Face Size	Neck Size
RC	A	IS	B 308 x 158	N 250 x 100

Example : RC - A + IS - B 308 x 158, N 250 x 100