

NACA 2Nm / 5Nm 2-Point & 3-Point On-Off Control Actuator



ASLI damper actuators are especially designed and produced for applications in the HVAC systems with latest Switzerland technology.

It has been developed to operate and position air dampers of different sizes.

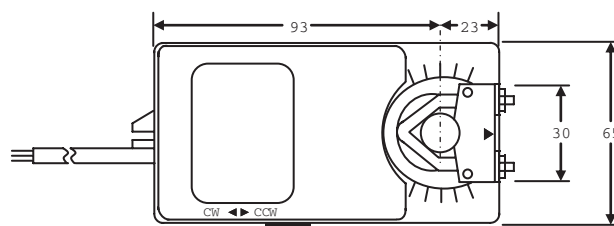
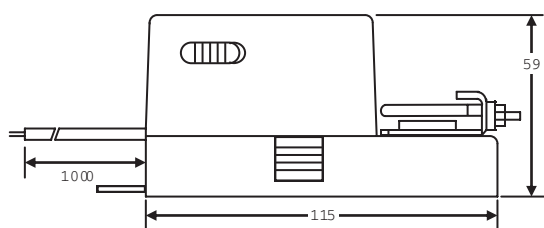
Features

- Torque 2 Nm / 5 Nm
- Damper neck size 0.3 m² / 0.75 m²
- Power supply AC/DC 24 V and AC 230 V
- Control 2 Point and 3 Point
- 1 adjustable auxiliary switch (SPDT) when requested
- Shaft dimensions
Ø 6 to 15 mm round / 5 to 10.5 mm square
- Minimum shaft length 40 mm
- Selectable direction of rotation
- Adjustable angle of rotation
- Actuator with 1m cable connection

NACA 2Nm / 5Nm Model Selection Table

Torque	Running Time	Power Supply	Auxiliary Switches	Model/Type
2 Nm	60...90 sec	AC/DC 24 V ± 10%	No	NACA 1-02
2 Nm	60...90 sec	AC/DC 24 V ± 10%	1 x SPDT	NACA 1-02 S1
2 Nm	60...90 sec	AC 230 V ± 10%	No	NACA 2-02
2 Nm	60...90 sec	AC 230 V ± 10%	1 x SPDT	NACA 2-02 S1
5 Nm	70...100 sec	AC/DC 24 V ± 10%	No	NACA 1-05
5 Nm	70...100 sec	AC/DC 24 V ± 10%	1 x SPDT	NACA 1-05 S1
5 Nm	70...100 sec	AC 230 V ± 10%	No	NACA 2-05
5 Nm	70...100 sec	AC 230 V ± 10%	1 x SPDT	NACA 2-05 S1

NACA 2-5Nm Dimensions *Unit : mm*



NACA 2Nm / 5Nm 2-Point & 3-Point On-Off Control Actuator

NACA 2Nm / 5Nm Technical Specification

	NACA 1...(S1)	NACA 2...(S1)
Torque	2 Nm / 5 Nm	
Damper size	0.3 m ² / 0.75 m ²	
Shaft dimensions	Ø 6 to 15 mm round / 5 to 12 mm square	
Power supply	AC/DC 24 V ± 10%	AC 230 V ± 10%
Frequency	50...60 Hz	
Control Signal	2 point and 3 point	
POWER CONSUMPTION		
- Operating	2.0 W	
- At the end stops	2.0 W	
For wire sizing	4.0 VA	
Auxiliary Switches Rating (Amp and Voltage)	3 (1.5) A, AC 250 V	
Protection Class	III	IP
Angle of rotation	90° (95° mechanical)	
Angle limiting	0°...90° (max. 0°...30° / 60°...90°)	
Weight	< 0.7 Kg	
Life cycle	60,000 rotation	
Sound level	40 dB	
IP protection	IP54 (dust protected & protected against splash water)	
Operating Temperature	-20°...50° as per IEC 721-3-3	
Non-Operating Temperature	-30°...+60° C / IEC 721-3-2	
Ambient Humidity	5%...95% rH non condensing / EN	
Maintenance	Maintenance free	
Mode of Operation	Type I / EN 60730-1	
EMC	CE and ISO 9000 EN / EEC... Requirements	

NACA 2Nm / 5Nm Wiring Diagram

Wiring Diagram NACA 1/2...(S1) Power Supply AC/DC 24 V - AC 230 V

M			24V	M		
black	red	white	230V	black	red	white
blue	brown	white		blue	brown	white
1	2	3		1	2	3
⊥	~	AC 24 V ±10%		⊥	~	
-	+	DC 24 V ±10%		-	+	
N	L1	AC 230 V ±10%		N	L	
2 Point				3 Point		

Connect via safety isolating transformer

Changing Direction of Rotation NACA 1/2...(S1)

Factory-set CW!

The direction of rotation can be changed by pushing the CW/CCW switch on the actuator's housing.

NACA 2Nm / 5Nm 2-Point & 3-Point On-Off Control Actuator

NACA 2Nm / 5Nm Wiring Diagram

Wiring Diagram NACA 1/2...(S1) Auxiliary Switch

3 (1.5) A, AC 250 V
Actuator at 0° position

Adjustment of Auxiliary Switch NACA 1/2...(S1)

Switch **a** factory-set at 5°

The auxiliary switch can be optimally adjusted between 0°...90°.

Wiring Diagram NACA 1/2...(S1) Parallel Connection

Master			Slave		
1	2	3	1	2	3
black	red	white	black	red	white
blue	brown	white	blue	brown	white

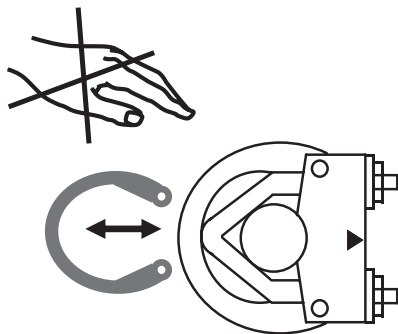
AC 24 V ±10%
DC 24 V ±10%
AC 230 V ±10%

Remark

Parallel connection of several NACA...(S1) actuators is possible. The power consumption must be observed.

Releasing the Adapter NACA 1/2...(S1)

Releasing the adapter is not required and not necessary.



Limiting Angle of Rotation NACA 1/2...(S1)

Adjustment of Mechanical Limiter

1. Loosen screw of mechanical limiter
2. Move limiter to appropriate position *
3. Tighten screw

* Working range of 90° can be reduced up to 30° from each end position.

